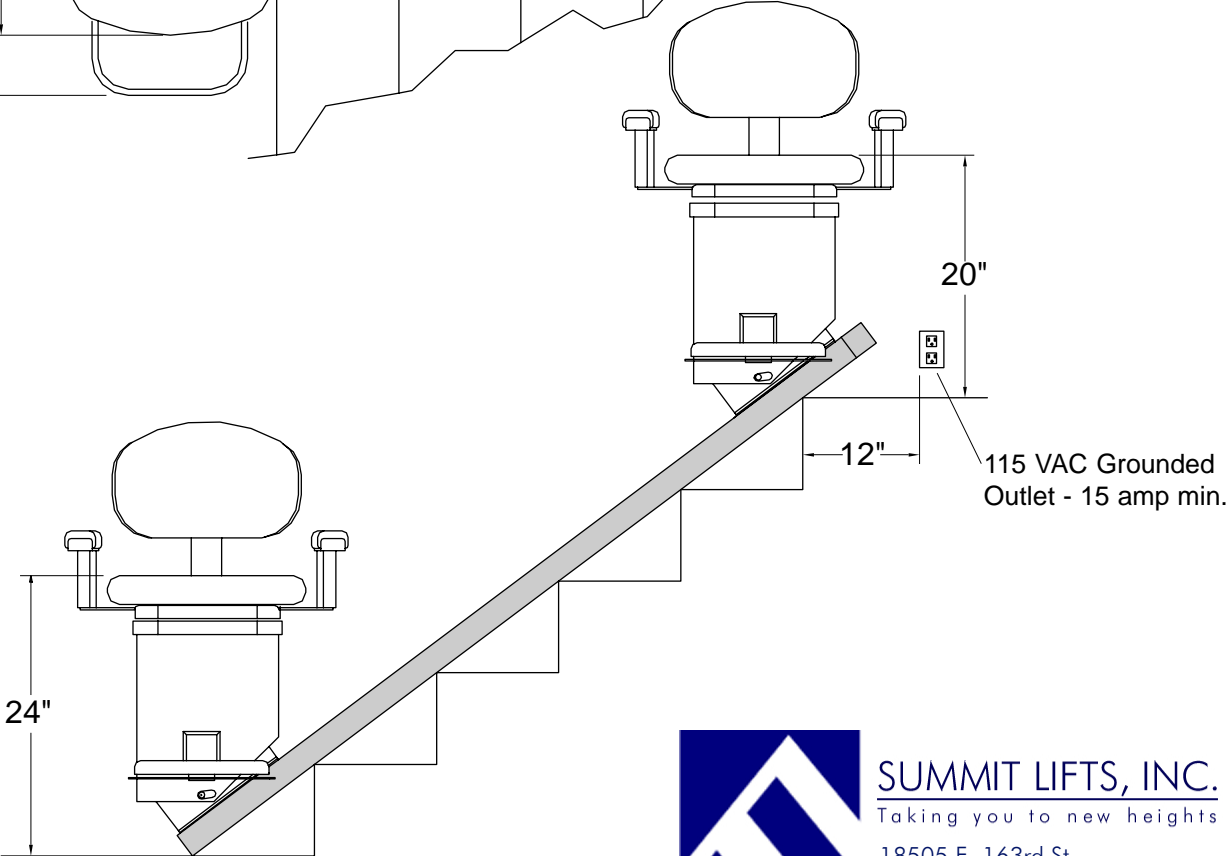
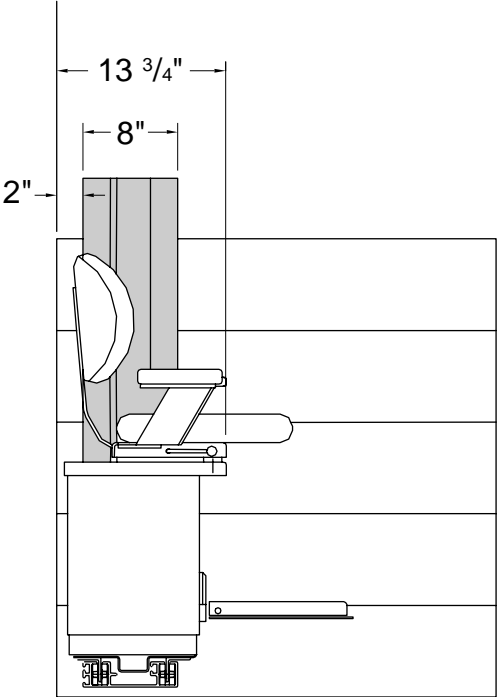
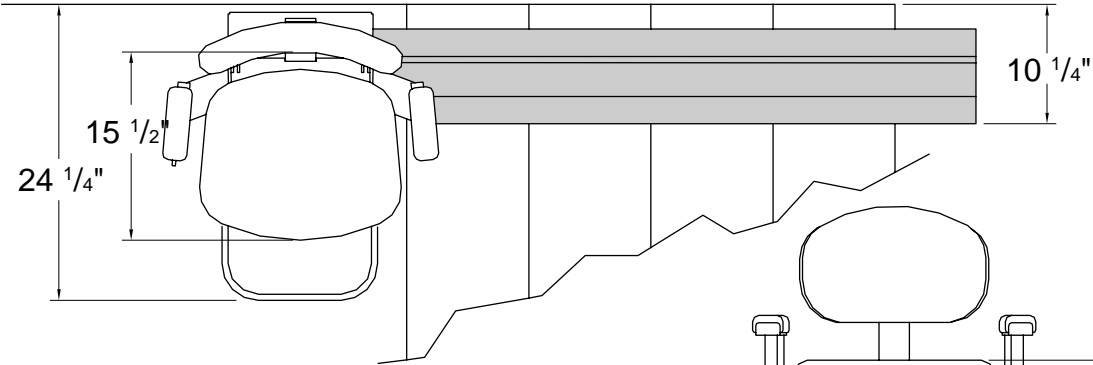


Summit® Stair Lift

Unit Specifications	
Rated Load	300 lbs.
Speed	20 feet per minute
Travel	20' maximum
Electrical Req.	115 VAC grounded outlet
Incline Limits	30° to 45°
Brake	Self-locking worm gear
Drive System	3/16" dia. aircraft cable
Motor	1/2 hp 115 VAC rev
UL and cUL listed components	



Note: Lift must be equipped with key locked controls to comply with ASME A17.1 for use in public applications.



SUMMIT LIFTS, INC.
 Taking you to new heights
 18505 E. 163rd St.
 Lake Winnebago, MO 64034
 Phone: 866-378-4468
 Fax: 816-537-0461
www.summitlifts.com